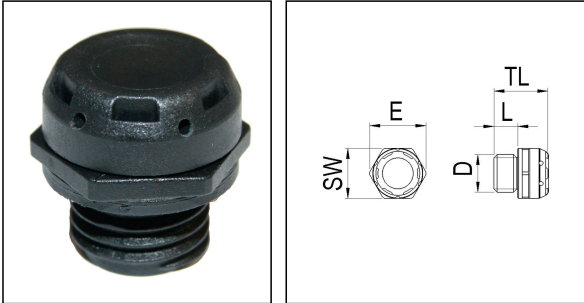


EVPS 12

Pressure compensation unit, polyamide, RAL 9005, M12



Products may differ in size, colour and appearance to those shown. If you require further information or customisation, please contact us directly.



Material cable gland	Polyamide
Material membrane	ePTFE
Material sealing gasket	TPE
Airflow at 70mbar	22 l/h
Temp. range min	-40 °C
Temp. range max	100 °C
Protection class	IP69, IP68
Thread type	M
Ø Connection thread D	12
Lead	1,5
Length screw-in thread L	8 mm
Key width SW	16 mm
Collar diameter (E)	18 mm
Tightening torque	1 N m
Total length TL	17,4 mm
Product Color	RAL 9005
Order no. RAL 9005	10102370
Type	EVPS 12
Packing unit	10
ETIM-Classification	EC000441

Recommended accessories

EMUG 12	10061780
----------------	----------

Your Contact:

WISKA Hoppmann GmbH

Kisdorfer Weg 28 · 24568 Kaltenkirchen · Germany

☎ +49-4191-508-0 · 📠 +49-4191-508-209

contact@wiska.de · www.wiska.com

27.07.2020

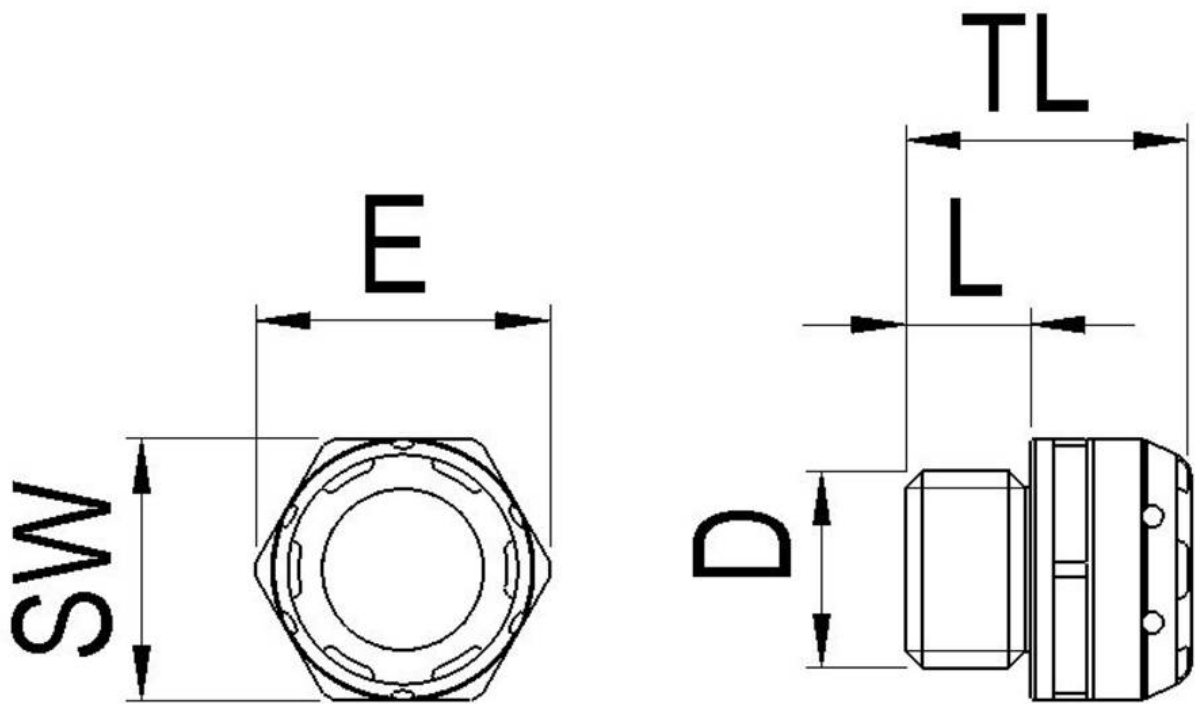
Your Contact:

WISKA Hoppmann GmbH

Kisdorfer Weg 28 · 24568 Kaltenkirchen · Germany

☎ +49-4191-508-0 · 📠 +49-4191-508-209

contact@wiska.de · www.wiska.com



Your Contact:

WISKA Hoppmann GmbH

Kisdorfer Weg 28 · 24568 Kaltenkirchen · Germany

☎ +49-4191-508-0 · 📠 +49-4191-508-209

contact@wiska.de · www.wiska.com